

GrowerSELECT[®] HS583-SWKIT Latchout / Auxiliary Switch Kit
Installation and Operating Instructions

The HS583-SWKIT Auxiliary Switch Kit for HS583 Series curtain / Vent machines provides a Normally Open and Normally Closed switch contact activated by the load block during the last 6” of travel in the “CLOSED” direction. The HS583-SWKIT is mounted on the machine cabinet flange and can be easily adjusted to the desired position along the travel range of the load block.

Installation Instructions:

Install switch bracket on left side flange of cabinet as shown in Figure 1.

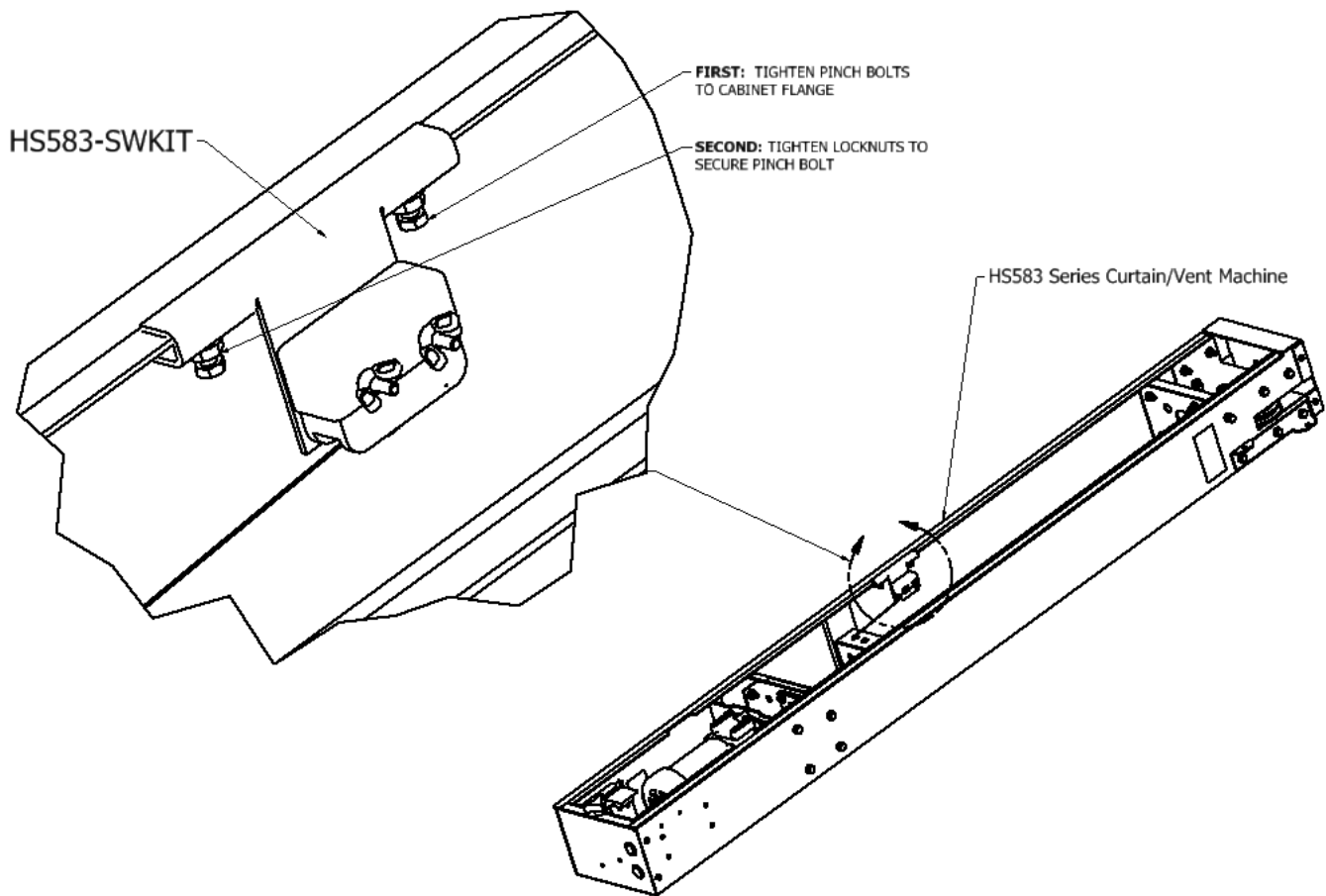


Figure 1

Position and Adjustment:

Switch must be positioned within dimension shown in **Figure 2**. **Warning - Positioning switch greater than 4" from specified location will result in switch damage.** The whisker actuator must remain in contact with the top of the load block assembly and not allowed to drop down in front of the load block when the load block is at the "CLOSED" stop limit see (**Figure 3 and 4**).

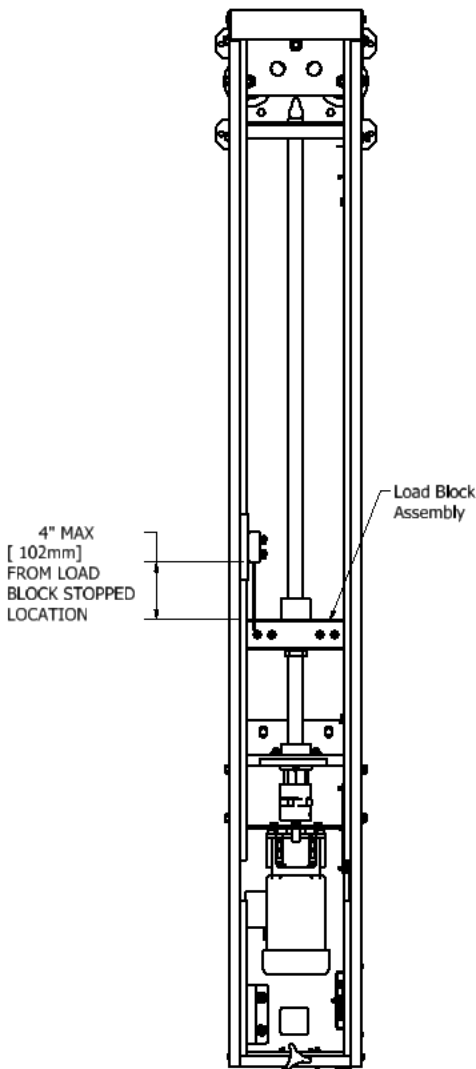


Figure 2

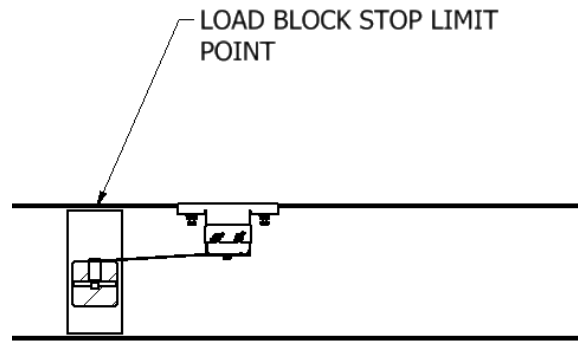


Figure 3

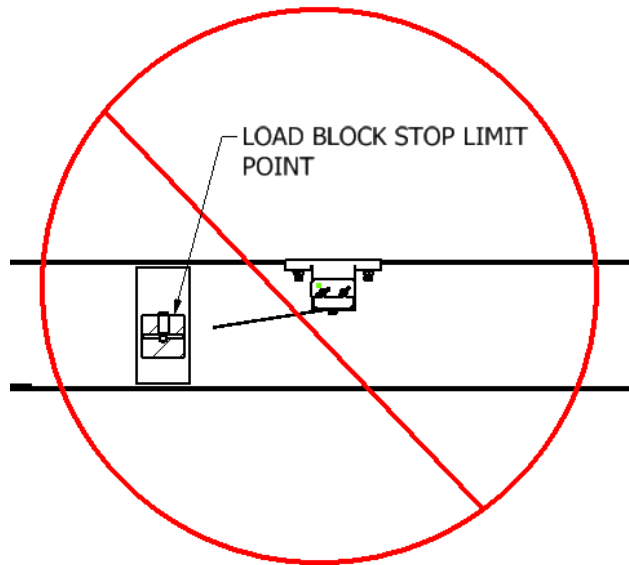
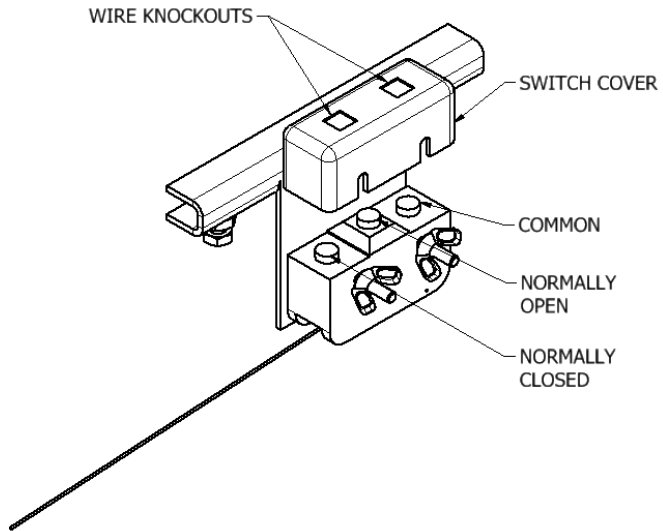


Figure 4

Wiring Instructions:

Loosen the two wing nuts holding switch and remove switch cover. Remove wire knockouts from switch cover. Route each wire through the wire knockout opening. Connect wires to either “Normally Open” or “Normally Closed” depending upon application.



SWITCH RATING:
15A @ 125, 250, 480 VAC

Figure 5

Route wiring away from moving parts. Protect wiring from sharp edges and use liquid tight connectors when running through wall surfaces.

Final adjustment:

With the whisker actuator on top of the load block, adjust switch angle by loosening the wing nuts and rotating the switch up then slowly downward until the switch activates. While holding switch body in position, re-tighten wing nuts.

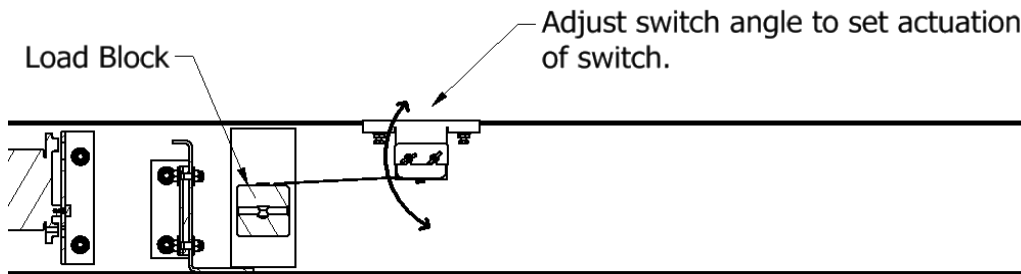


Figure 6

This equipment must be installed in accordance with all State and Local Codes and applicable Regulations which should be followed in all cases. Authorities having jurisdiction should be consulted before installations are made.



Hog Slat, Inc.
PO Box 300
Newton Grove, NC 28366
Phone: (910) 594-0219
Fax: (910) 594-1392
www.hogslat.com
Copyright © 2015 by Hog Slat, Inc

Part Number: HSMANUAL-074
REV IR
HSART-416
Market: Hog & Poultry