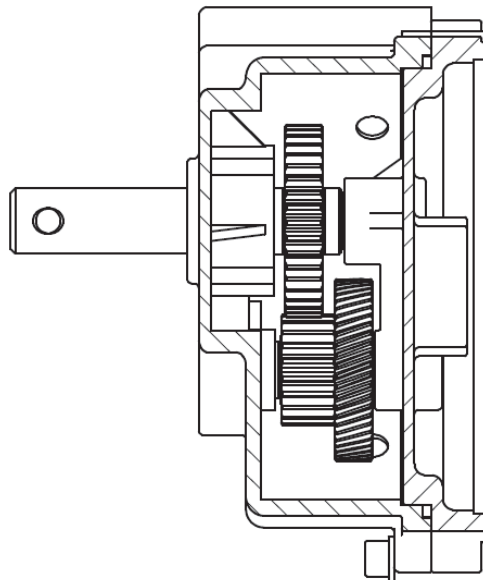


HSGR Series Gearheads

Warranty, Specifications, Parts List & Pinion Specifications



Gearhead Naming Designation

<u>Part Number</u>	<u>Description</u>
HSGR001	Gear Head 352/290 RPM at 60/50 Hz-58
Output RPM with Motor Running at 60 Hz	Output RPM with Motor Running at 50 Hz
	Output Shaft Diameter (5/8")

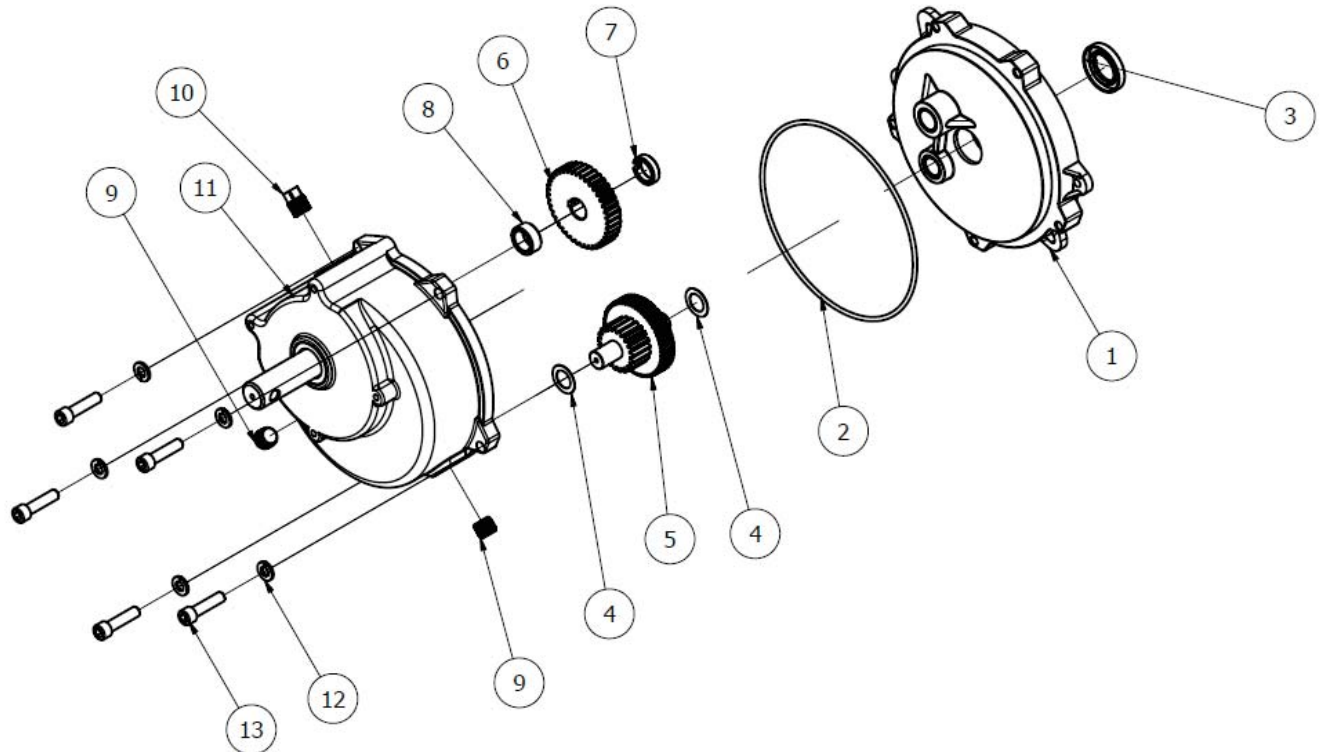
All Output RPMs are based on a standard 1725 RPM input motor running at either 60 Hz (1725 RPM) or 50 Hz (1425 Rpm).

Gearhead Specifications Chart

The chart below provides Gearhead specification information for the various GrowerSelect applications (fill systems, feeders, etc).

Gearhead	Output Shaft Size	Motor Hz	Motor RPM	Output RPM	Primary Applications
HSGR001	5/8	60	1725	352	M55 & Poultry
HSGR002	7/8	60	1725	352	M75, M90, M125
HSGR005	5/8	60	1725	216	Power Winch
HSGR006	7/8	60	1725	441	M75, M90, M125
HSGR006	7/8	50	1425	364	M75, M90, M125, Primarily used in Europe 50 Hz
HSGR007	5/8	60	1725	441	M55 & Poultry
HSGR007	5/8	50	1425	364	M55 & Poultry, Primarily used in Europe 50 Hz
HSGR008	7/8	60	1725	256	M75, Chain Disk, & Extension System
HSGR008	7/8	50	1425	213	M75, Chain Disk, & Extension System, Primarily used in Europe 50Hz
HSGR010	5/8	60	1725	693	Poultry High Speed Drive Units
HSGR010	5/8	50	1475	573	M75, Chain Disk, & Extension System, Primarily used in Europe 50Hz

Two-Stage Gearhead Parts Listing



Key Item	Description	Gear Head					
		HSGR001	HSGR002	HSGR005	HSGR006	HSGR007	HSGR008
1	Back Plate w/bushings and Seal (Item 5)	TGM164HS-6	TGM164HS-6	TGM164HS-6	TGM164HS-6	TGM164HS-6	TGM164HS-6
2	O-Ring, Backplate M164	TG2-259	TG2-259	TG2-259	TG2-259	TG2-259	TG2-259
3	Seal, Oil Pinion Side	TG10515	TG10515	TG10515	TG10515	TG10515	TG10515
4	Washer, Thrust (2 required)	TGH40320	TGH40320	TGH40320	TGH40320	TGH40320	TGH40320
5	Gear Assy, 1st Stage w/Washers (Item 4)	TG1621-5	TG1621-5	TG1643-6	TG1625-5	TG1625-5	TG2021-5
6	Gear, Output	TG1640-6	TG1640-6	TG2460-5	TG1636-6	TG1636-6	TG2055-6
7	Spacer, Output Gear-Input Side	TGM56-8P	TGM56-8P	TGM56-8P	TGM56-8P	TGM56-8P	TGM56-8P
8	Spacer, Output Gear-Output Side	TGM162-8	TGM162-8	TGM162-8	TGM162-8	TGM162-8	TGM162-8
9	Plug, Nonvented (2 required)	2755	2755	2755	2755	2755	2755
10	Plug, Vented	3523	3523	3523	3523	3523	3523
11	Body, w/output shaft	Not Available					
12	Washer, Lock 5/16 (4 req)	60597	60597	60597	60597	60597	60597
13	Screw, SHCS 5/16-18 x 1 1/4 (4 req)	GS-8660	GS-8660	GS-8660	GS-8660	GS-8660	GS-8660

Pinion Specifications

Pinion	Motor Shaft Size	Gear Head
HSP03	1/2"	HSGR001, HSGR002, HSGR006,HSGR007,HSGR008, HSGR010
HSP04	5/8"	HSGR001, HSGR002, HSGR006,HSGR007,HSGR008, HSGR010
HSP05	1/2"	HSGR005

HSP03



HSP04



HSP05



Gearbox Set-up

The Gearbox is preassembled to motor for the more conventional application with the output shaft at top configuration. If the specific application requires: the gearbox can be rotated 180° so that shaft is at bottom.

Make sure the solid Hex Plug is always on bottom of Gearbox and Vent Plug is on top of Gearbox.

Gearbox must be filled with correct amount of specified 80-W90 Gear Oil prior to running system. Please refer to “Maintenance of the Grow-Flex System” on page 70 for details. A bottle of GrowerSELECT oil, (Part Number HS450) is supplied with Drive Unit. It is also available for separate sale at any Hog Slat or Georgia Poultry Retail Store; and on-line.

Note: Failure to fill Gear Box with proper amount of Gear Oil or failure to use proper Type of Gear Oil can result in premature unit failure.

After filling Gearbox with proper type and amount of gear oil, vent plug should be assembled to the top of Gearbox.