



# Grow-Disk™

Offering the most flexible range of feeding systems available.



## Flexible Feeding

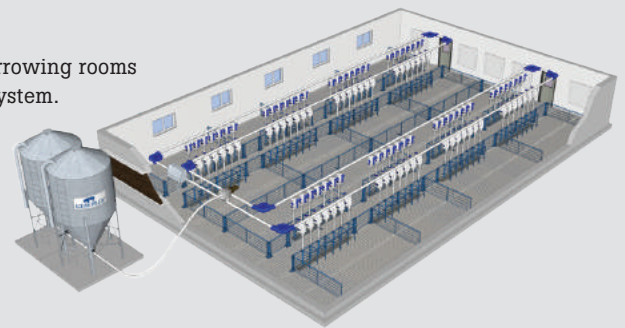
Offering the capability to feed multiple farrowing rooms or rows of gestation stalls with a single system.

## Flexible Pig Management

Since the system isn't controlled by a switch in the end feeder, pigs can be sorted out of any pen without affecting it's operation.

## Fewer Motors

In many layouts, a Grow-Disk system will only require two motors instead of four. All motors can be located by electrical service entrance, reducing wiring and electrical costs.



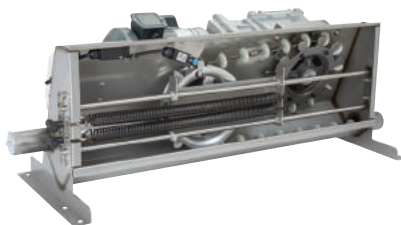
## It Starts With A Superior Chain

Composed of hardened steel and nylon disks, Grow-Disk's multidirectional superior chain eliminates the need for frequent tightening adjustment, allows for easy installation, and will provide years of lasting service.



## E-Z Clean Corner Wheel

A new innovation for chain disk feeding systems. The upgraded, bi-directional cast corner wheel turns on low friction, encapsulated stainless steel ball bearings. The heavy duty E-Z Clean corner wheel features a transparent door, permitting visual inspection and ability to remove accumulated grain. Molded metal inserts with rubber seals reinforce critical axel wear points to prevent cracking and eliminate moisture from entering the housing.



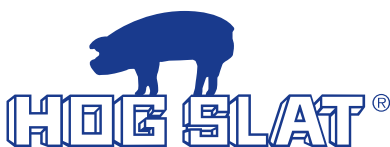
## Stainless Steel Drive Unit

Constructed of 304 stainless steel with a high efficiency 1-1/2 HP motor. Includes steel sprocket wheels with two safety switches, one each on the tensioner and access cover. Drive unit features a wider slide carriage that will allow satisfactory operation in longer systems and captive latches on the front cover for easy access. Connects seamless with the steel fill hopper.



## Grow-Disk Pipe

18 ga. Galvanized feed tube eliminates installation problems associated with PVC pipe systems. 20' long steel sections do not sag, reducing low spots in the system that cause premature wear on disks. Tube has OD of 2.36 inches. 35% heavier coupler with extra length and four bolts for a secure connection.



GrowerSELECT™ HOG SLAT™  
**GROW-DISK™**  
HSCD200 Grow-Disk Controller



**7" Full color touchscreen display interface allows monitoring of controller status at a glance and simple on screen programming**

## Standalone control unit that services both Finisher and Sow Farm applications.

- ICON menu for easy program/navigation
- Manual or automatic operation
- Continuous Feeding or up to four Timed Feeding schedules each up to 12 cycles per day
- One touch language selection
- Daily feed cycles times, cycle count, and faults are stored for up to 60 days
- FEED NOW option in TIMED FEEDING mode allows for system fill immediately without having to switch to manual mode

### Features:

- Current sensor input for overload protection on feeding system.
- Custom portable interface for uploads and downloads of programs.
- USB port allows user to save/import and export settings and history.
- Maximum fill time monitored.
- Chain Disk motor output
- Auger motor output
- Alarm output

## Allows for Multiple Feeding Options

### Continuous Feeding

A proximity switch detects feed in the last drop tube or at the end of the feed line. Features feed delay to allow animals to eat before the next cycle.

### Timed Feeding

User can define up to 12 feed cycle start and dump times over the course of a day. Up to 4 different profiles can be created.

### Optional Feed Dump Output

Feed dump mechanism can be configured for actuator or electric valve operation, set to dump feed at a specific time of day. Optional input for security switch to ensure dumps are closed before starting feed cycle.

### Manual Feeding and Dump Control

Allows users to manually start and stop a feed cycle and dumps.

### Multifunction Toggle Switch Input

A toggle switch can be connected to manually stop the system and restart where it left off, or stop the system until the next cycle.

### Feed Now Option

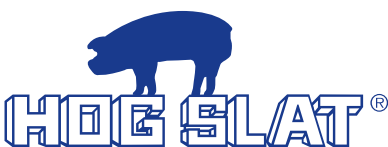
Allows user to run feed cycle immediately without waiting for next programmed feed cycle. Specifically useful following a system fault. User does not have to put system in manual mode to feed animals. Run FEED NOW and system completes cycle immediately then continues in AUTOMATIC mode.

### Manual Feed Auger

Allows operation of auger only. Enabled only when controller is in MANUAL MODE. Chain disk system does not run when MANUAL FEED AUGER is active. Running of auger in manual mode allows for feed cart filling as example.

### Washdown Cycle

Available only when controller is in MANUAL MODE. This function is used when building is being washed. In order to keep interior of corners and pipe dry and not allow feed to cake due to moisture intrusion, the WASHDOWN CYCLE will run the chain disk drive motor only for 15 minutes ON / 15 minutes OFF for 4 hours to help keep corners, pipe and other parts free of accumulated water. FAULTS for chain drive system are still monitored during this cycle



# E-Z Clean Corner Wheel

A new innovation for chain disk feeding systems.

Transparent door permits visual inspections of the system. Door flips down to remove any accumulated grain.



#HSCD505



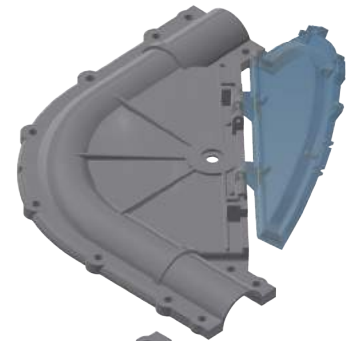
E-Z Clean transparent door is molded from impact resistant polycarbonate with 3 toggle latches that hold the door securely in place.



Corner Wheel housing is fabricated from a tough reinforced polymer with a dome peaked lid to prevent accumulation of water or moisture.



Molded metal inserts with rubber seals reinforce critical axle wear points to prevent cracking and eliminate moisture from entering the housing.



Tongue

Gasket

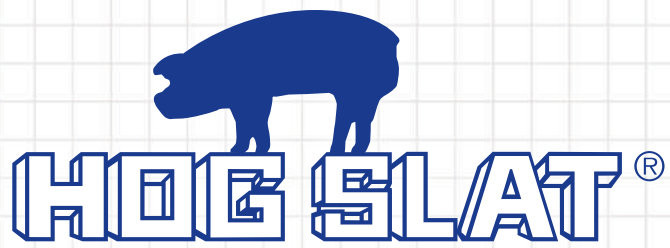


Features an upgraded, bi-directional cast corner wheel turns on low friction, encapsulated stainless steel ball bearings. Corner wheel can be flipped in either direction to prevent installation errors.



Specially designed ceiling brackets keep the corner wheel hanging straight.

The secure tongue and groove system with specially designed gaskets seal the housing together with stainless steel fasteners.



1-800-949-4647 | [hogslat.com](http://hogslat.com)