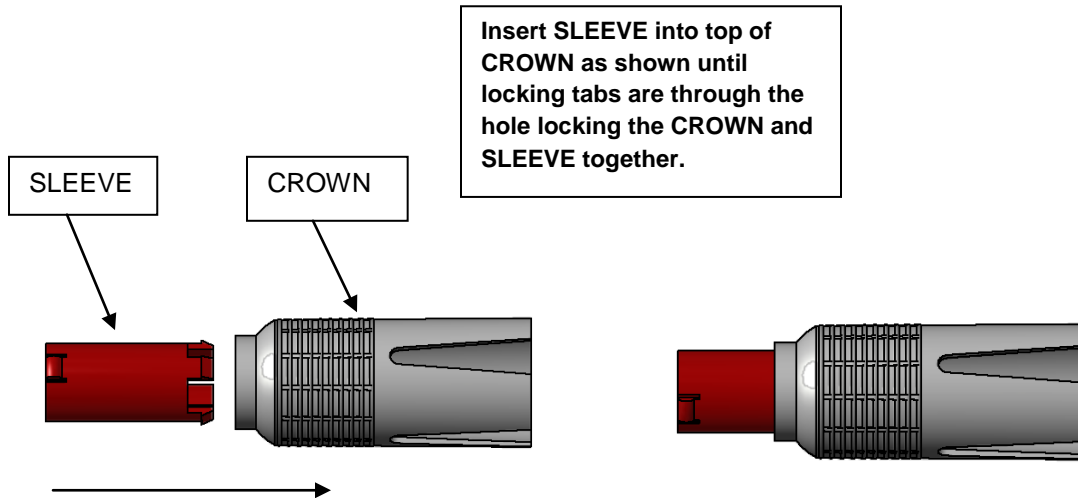
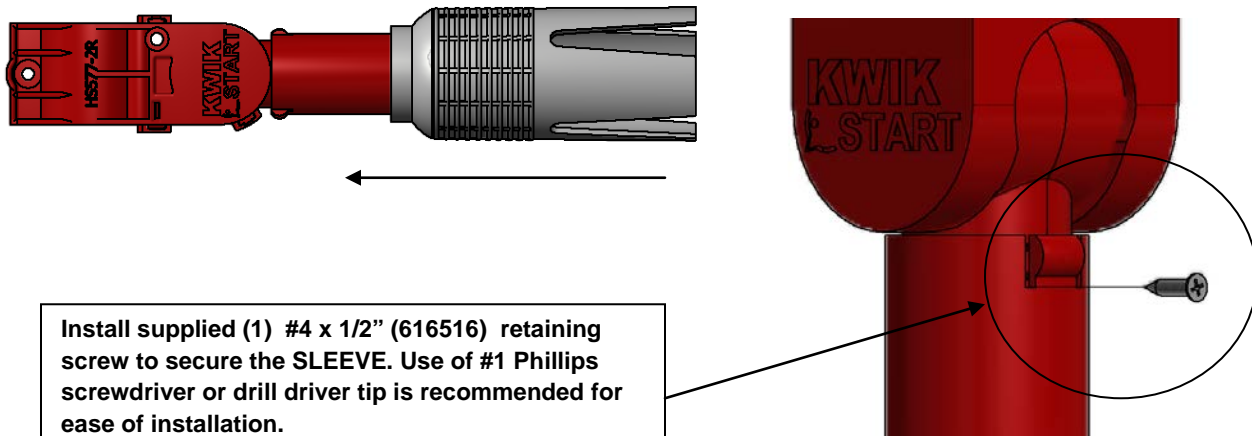


Grower**SELECT** HS578L LOCKING CROWN SLEEVE Installation and Operating Instructions

Installation Instructions:



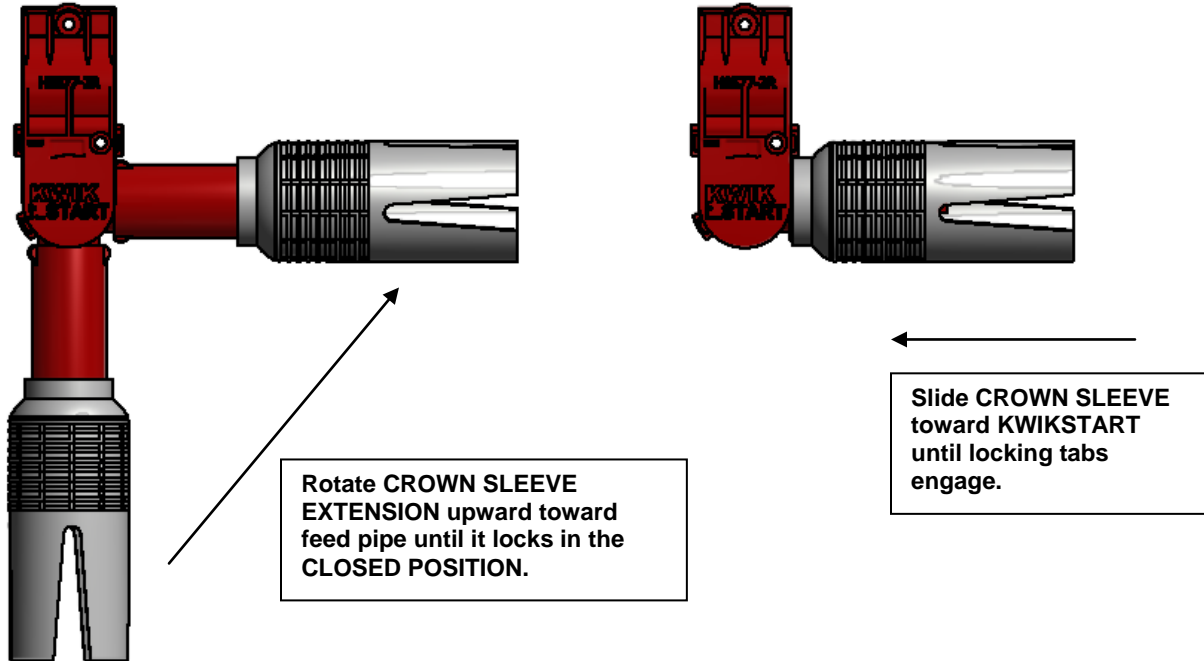
Install assembled CROWN and SLEEVE onto HS577 KWIKSTART outlet tube.



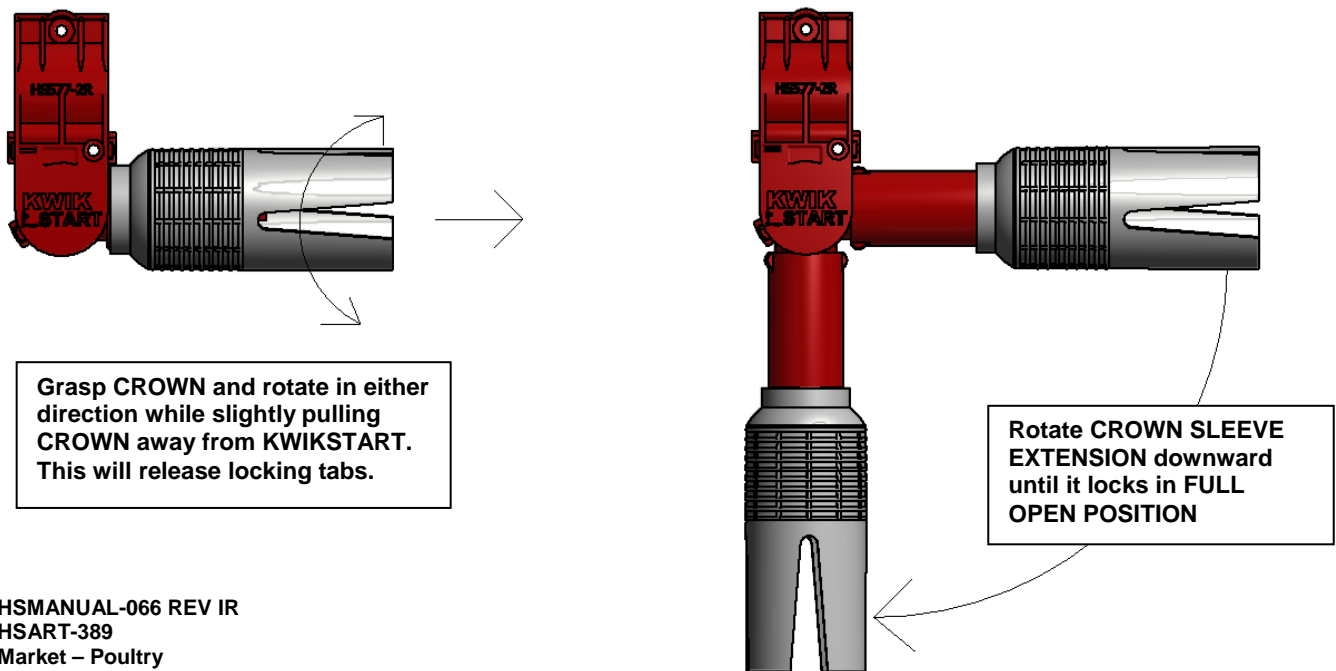
Install supplied (1) #4 x 1/2" (616516) retaining screw to secure the SLEEVE. Use of #1 Phillips screwdriver or drill driver tip is recommended for ease of installation. Install into bottom of slot as shown so that screw does not interfere with operation of LOCKING CROWN.

Operation Instructions:

FOLDING UP KWIKSTART WITH HS578L CROWN SLEEVE



FOLDING DOWN KWIKSTART WITH HS578L CROWN SLEEVE



HSMANUAL-066 REV IR
HSART-389
Market – Poultry